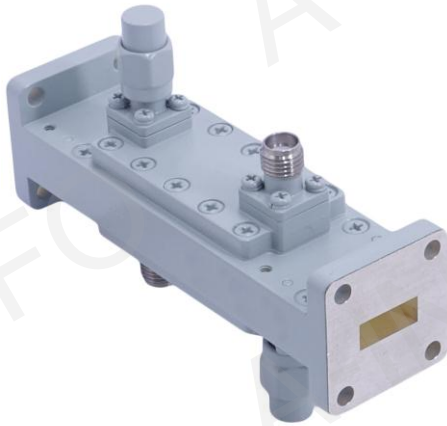


Technical Specification

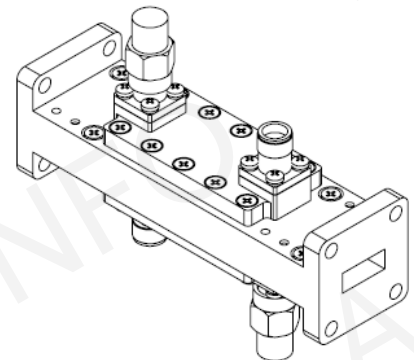
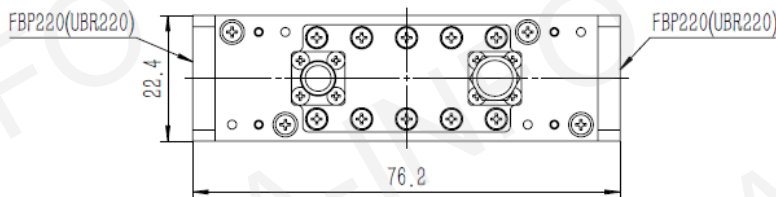
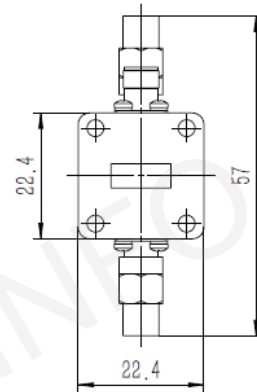
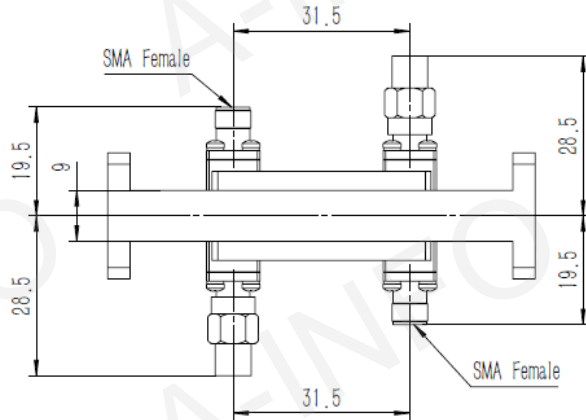


EIA WR	WR42
Frequency Range(GHz)	18.0 – 26.5
Coupling(dB)	40
Directivity(dB)	15 Typ.
Insertion Loss(dB)	0.1 Max. (Not including the theoretical loss 4.34×10^{-4} dB)
Mainline VSWR	1.15:1 Max.
Secondline VSWR	1.70:1 Max.
Flange	FBP220(UBR220)
Coupling Port	SMA-Female/SMA-Male
Material	Cu
Size(mm)	76.2 x 22.4 x 57
Net Weight(Kg)	0.18 Around

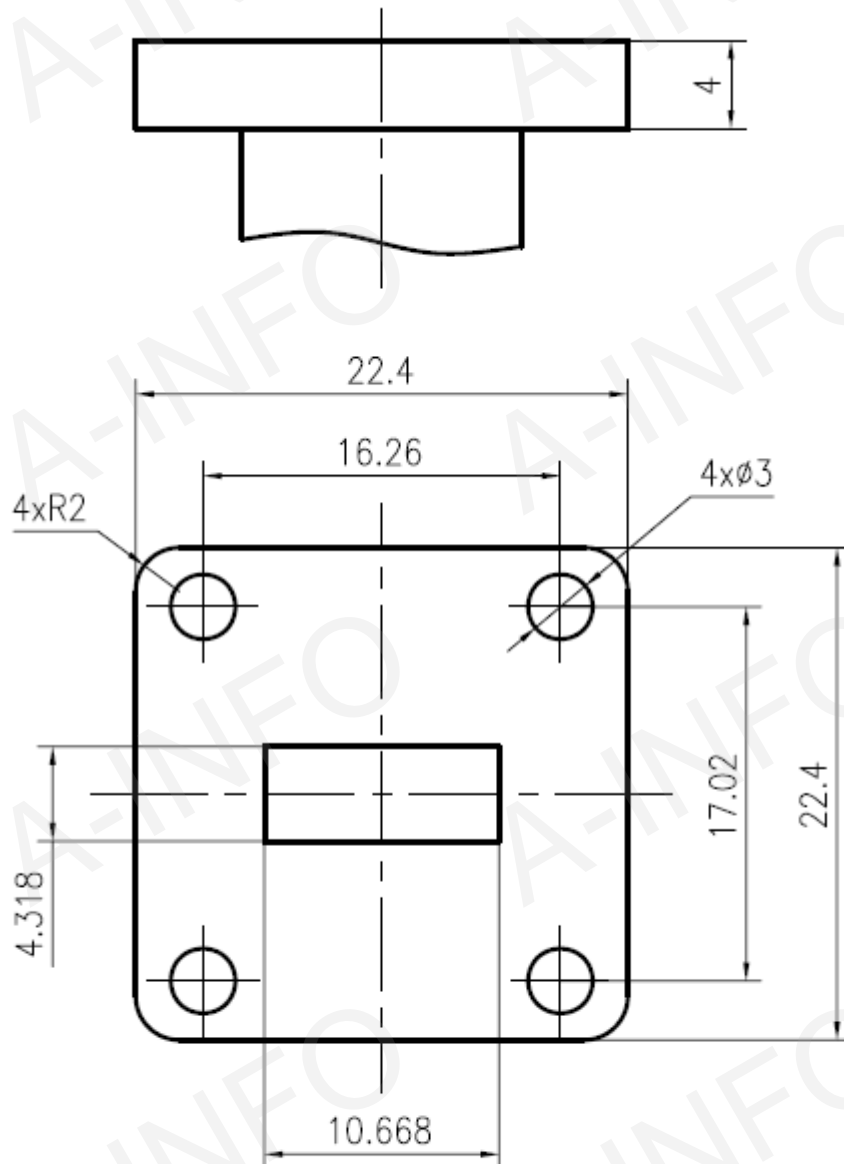
Outline Drawing (Size: mm)

Coupling Port: SMA-Female

For SMA-Male connector Coupling Port outline drawing, please contact A-INFO.



Flange Drawing (Size: mm)



FBP220

AINFO Inc.

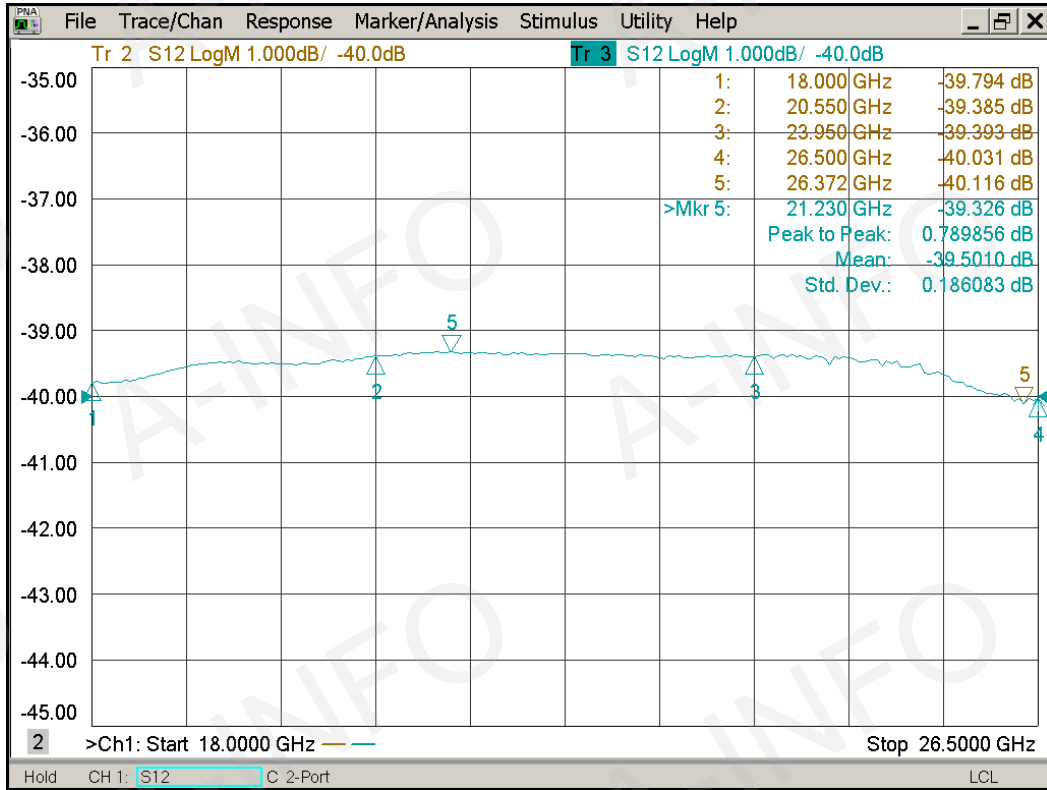
Page 2 of 6

China(Beijing):	Tel: (+86) 10-6266-7326,	(+86) 10-6266-7327	Fax: (+86) 10-6266-7379
China(Chengdu):	Tel: (+86) 28-8519-2786,	(+86) 28-8519-3044	Fax: (+86) 28-8519-3068
USA :	Tel: (+1) 949-639-9688,	(+1) 949-639-9608	Fax: (+1) 949-639-9670

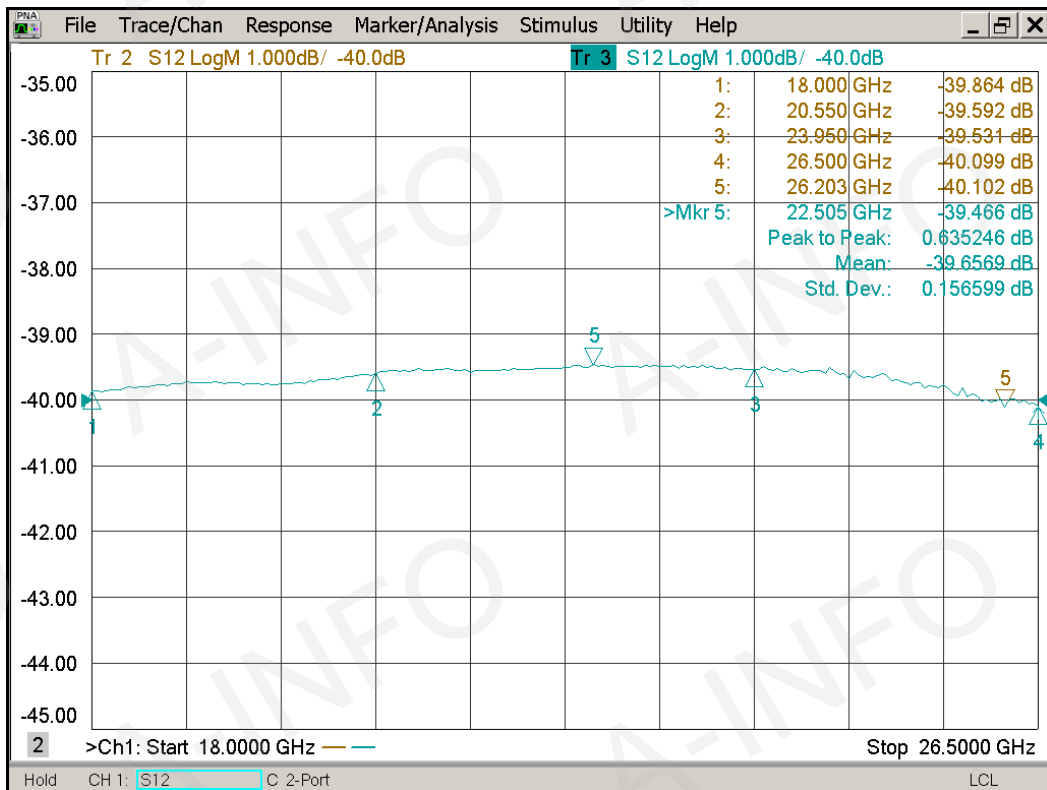
Website: www.ainfoinc.com
Email: sales@ainfoinc.com

Test Results

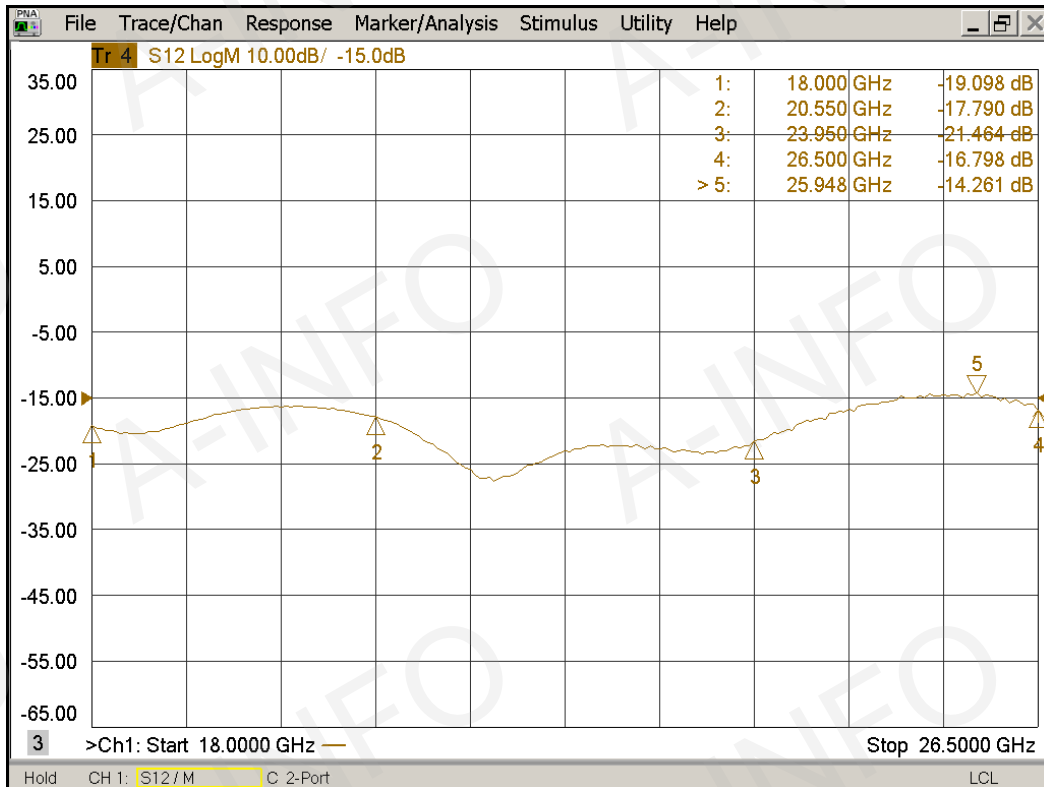
Coupling Port 1



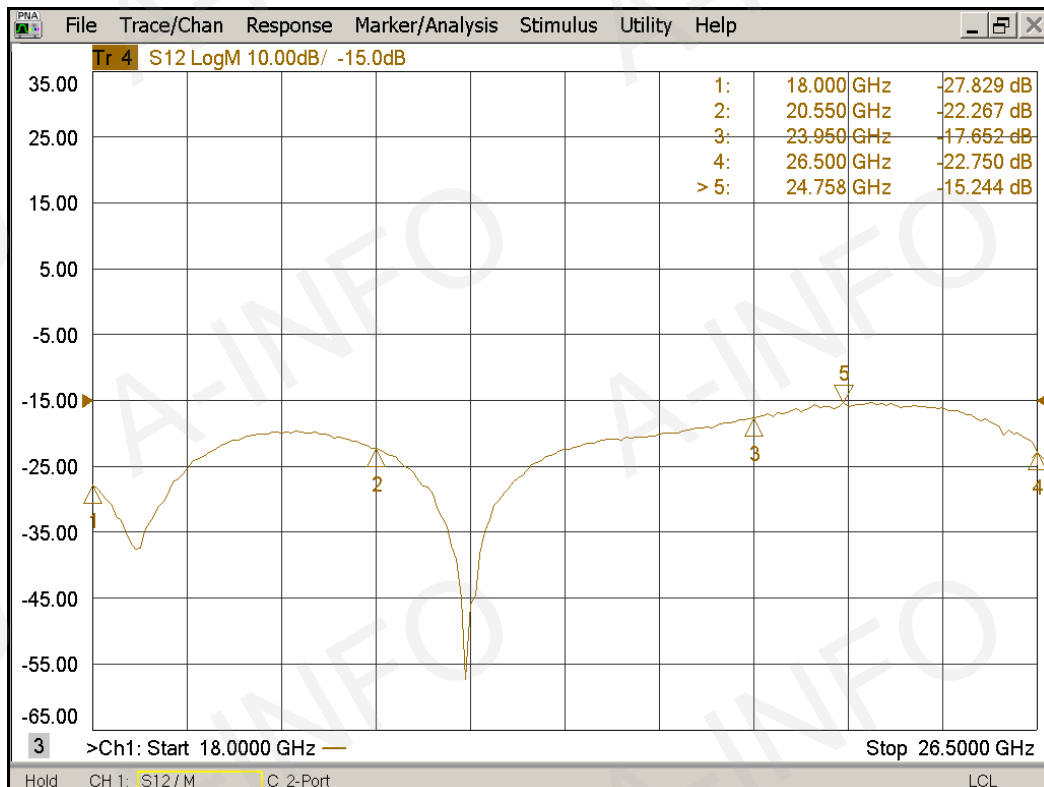
Port 2



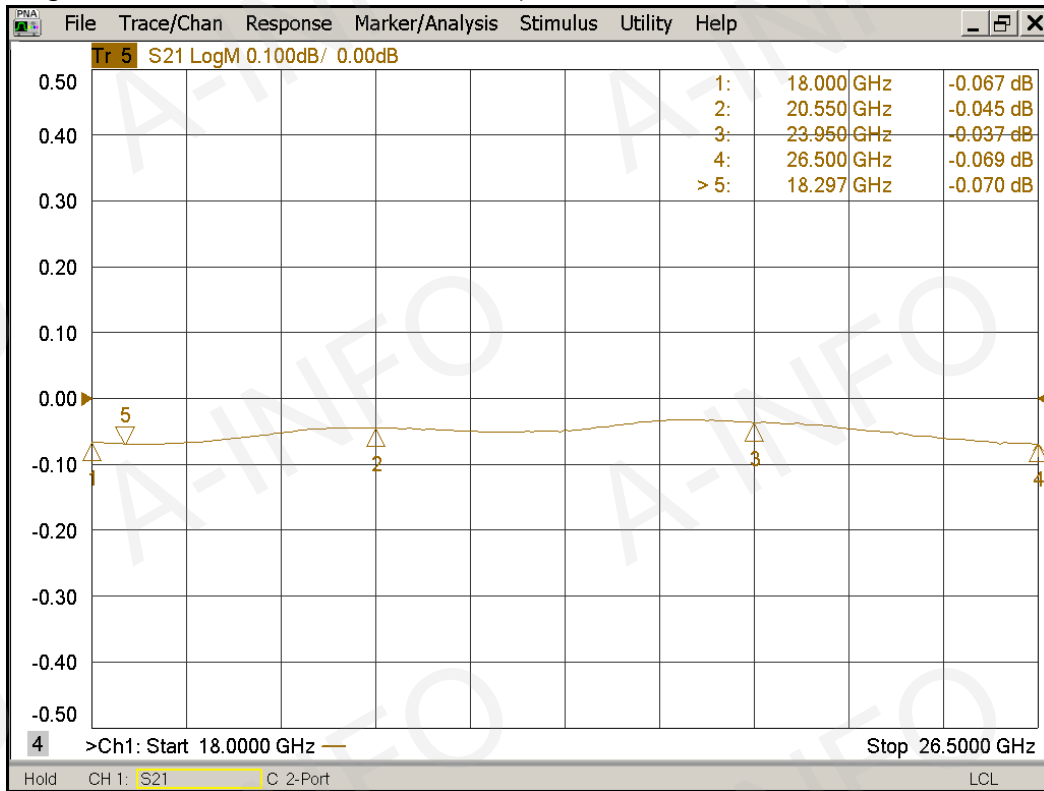
Directivity Port 1



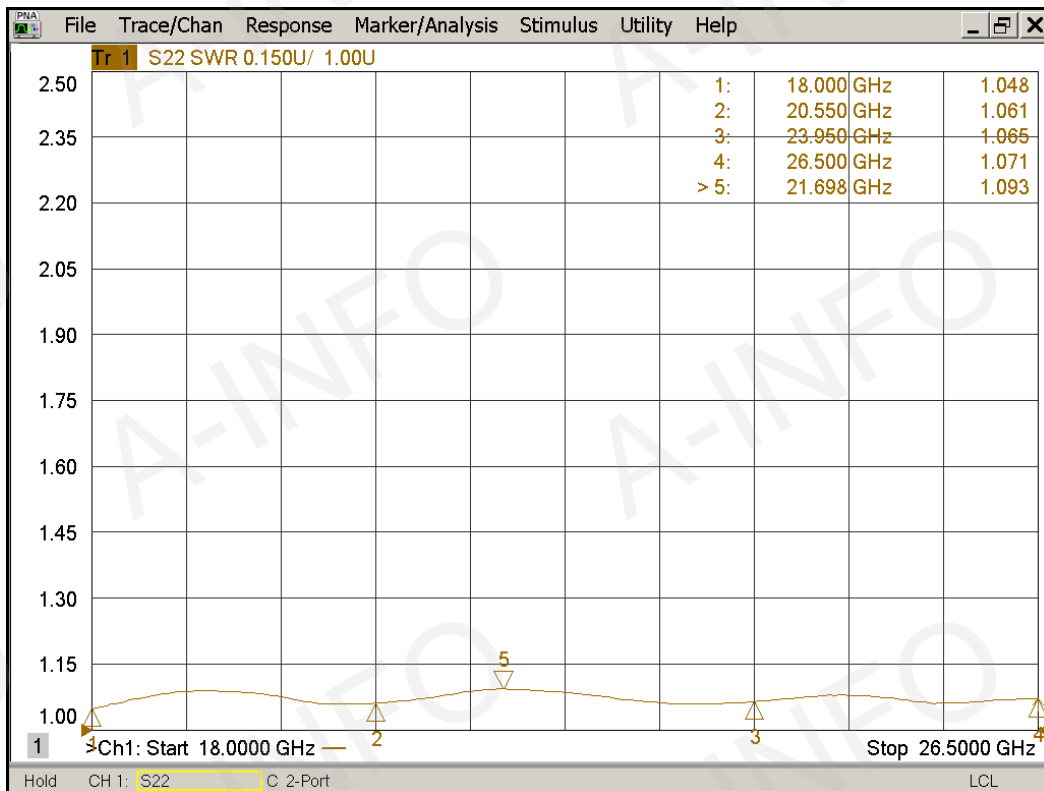
Port 2



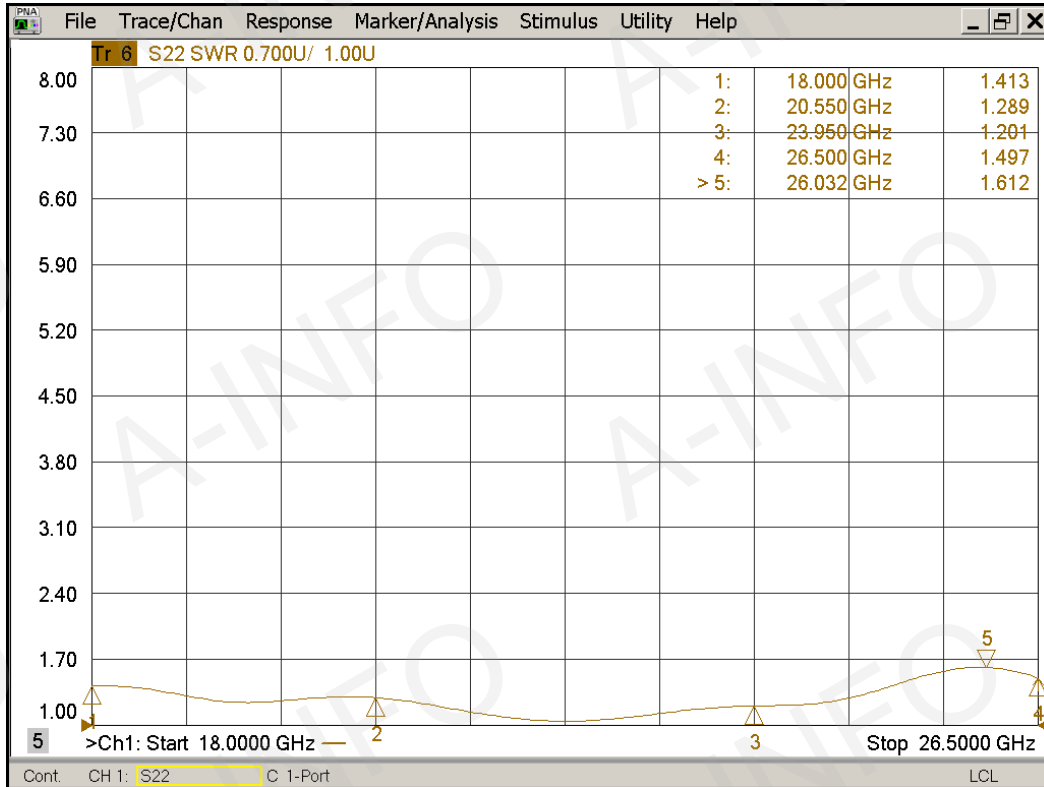
I.L. (Including the theoretical loss 4.34×10^{-4} dB)



Mainline VSWR



Secondline VSWR
Port 1



Port 2

